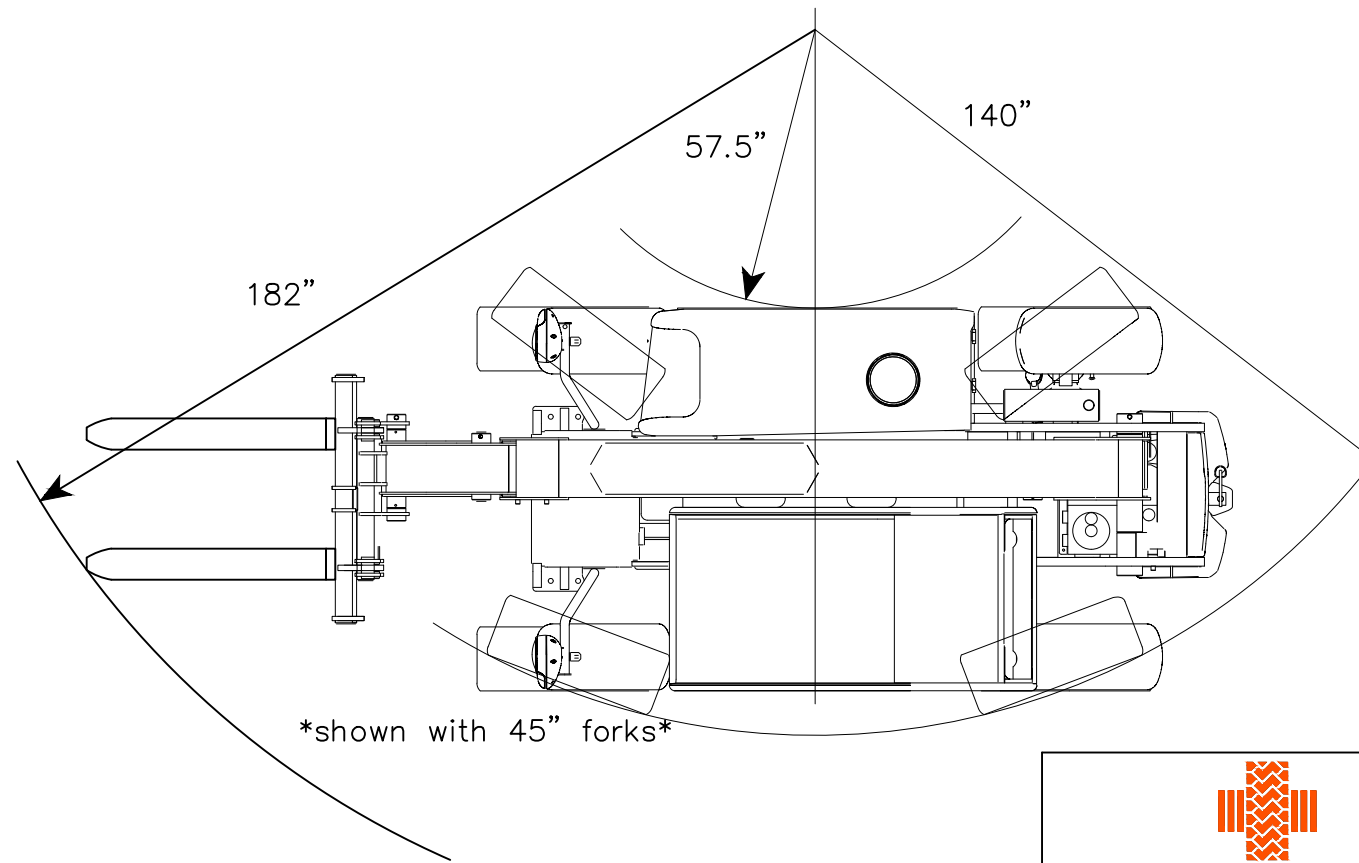
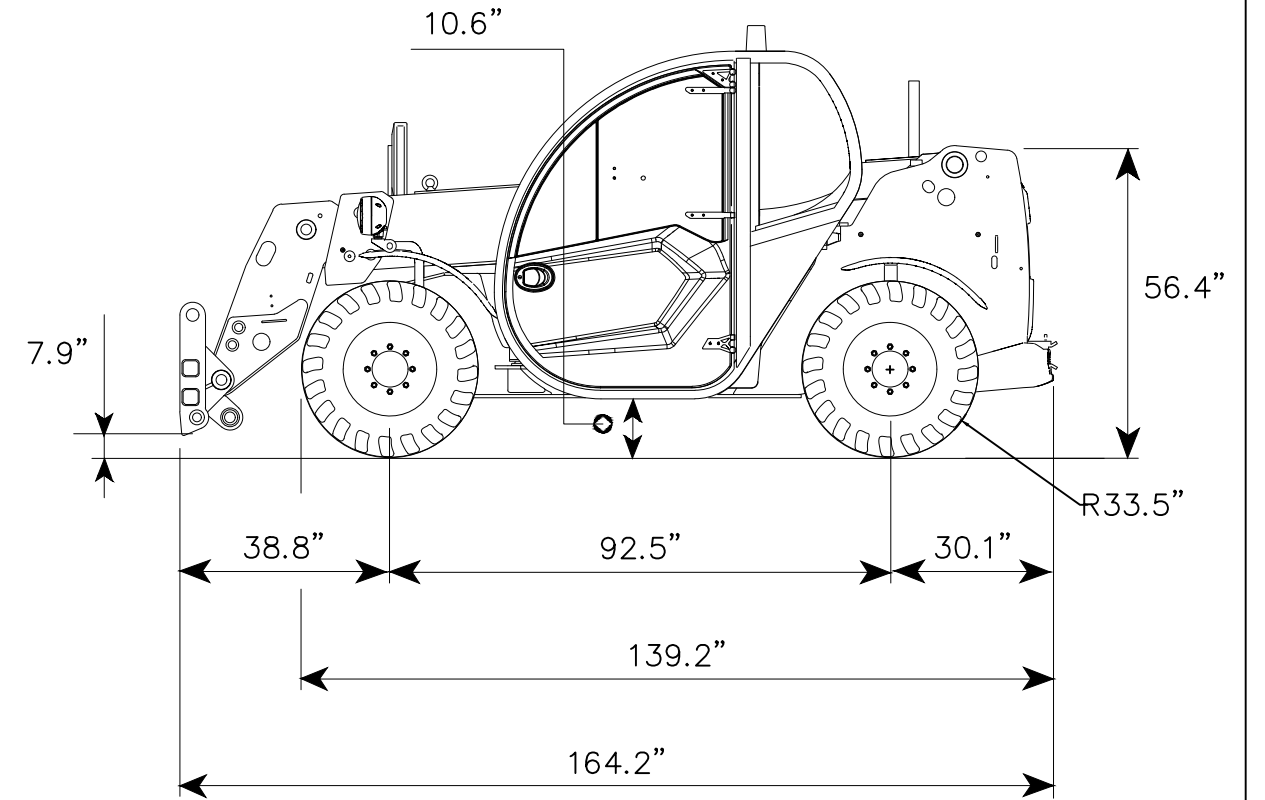
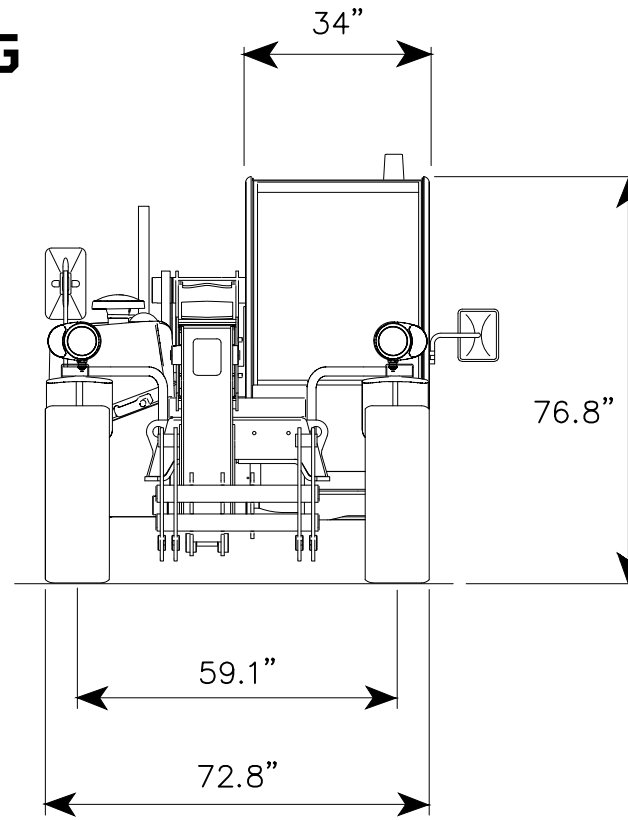
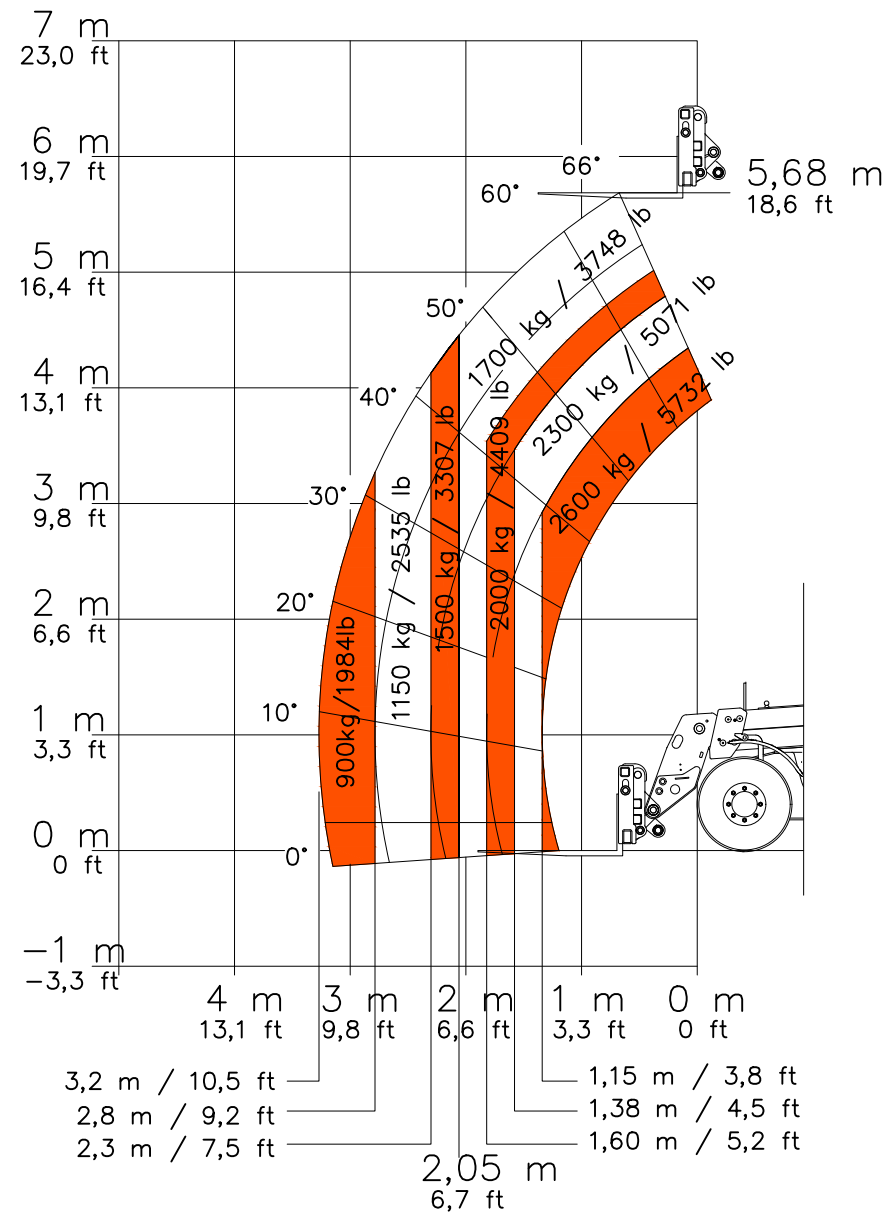


MINEMASTER APOLLO LAYOUT DRAWING

LOAD CHART

2600 kg / 5732 lb

- NOTES:
- valid for 500mm load center (19.7")
 - Fully inflated tires
 - Machine on level ground



Empty Weight: 11000 lbs
Gross Weight: 17000 lbs

<p>TRACKS+WHEELS</p>	<p>UNLESS OTHERWISE SPECIFIED ALL TOLERANCES TO BE AS FOLLOWS:</p> <p>FRACTIONS - ±1/16 .00 - ±.010 .000 - ±.005 ANGLES - ±1% FINISH 125 BREAK ALL SHARP EDGES</p>	<p>DRAWING TO BE INTERPRETED AS PER CSA No. 87B 78.2</p> <p>THIRD ANGLE PROJECTION</p>
	<p>USED ON: MMAPOLLO</p>	
<p>NOTE: THIS DRAWING IS THE PROPERTY OF TRACKS & WHEELS INC. AND IT IS LOANED IN CONFIDENCE AND MAY NOT BE USED OR REPRODUCED IN ANY WAY DETRIMENTAL TO OUR INTERESTS</p>		
<p>DRAWN BY: MG</p>	<p>CHECKED: JK</p>	<p>APP'D: MG</p>
<p>DATE: 2019-09-25</p>	<p>TITLE: MMAPOLLO LAYOUT</p>	<p>PART No: L-400</p>
		<p>1 OF 1</p>
		<p>REV: 0.1</p>