

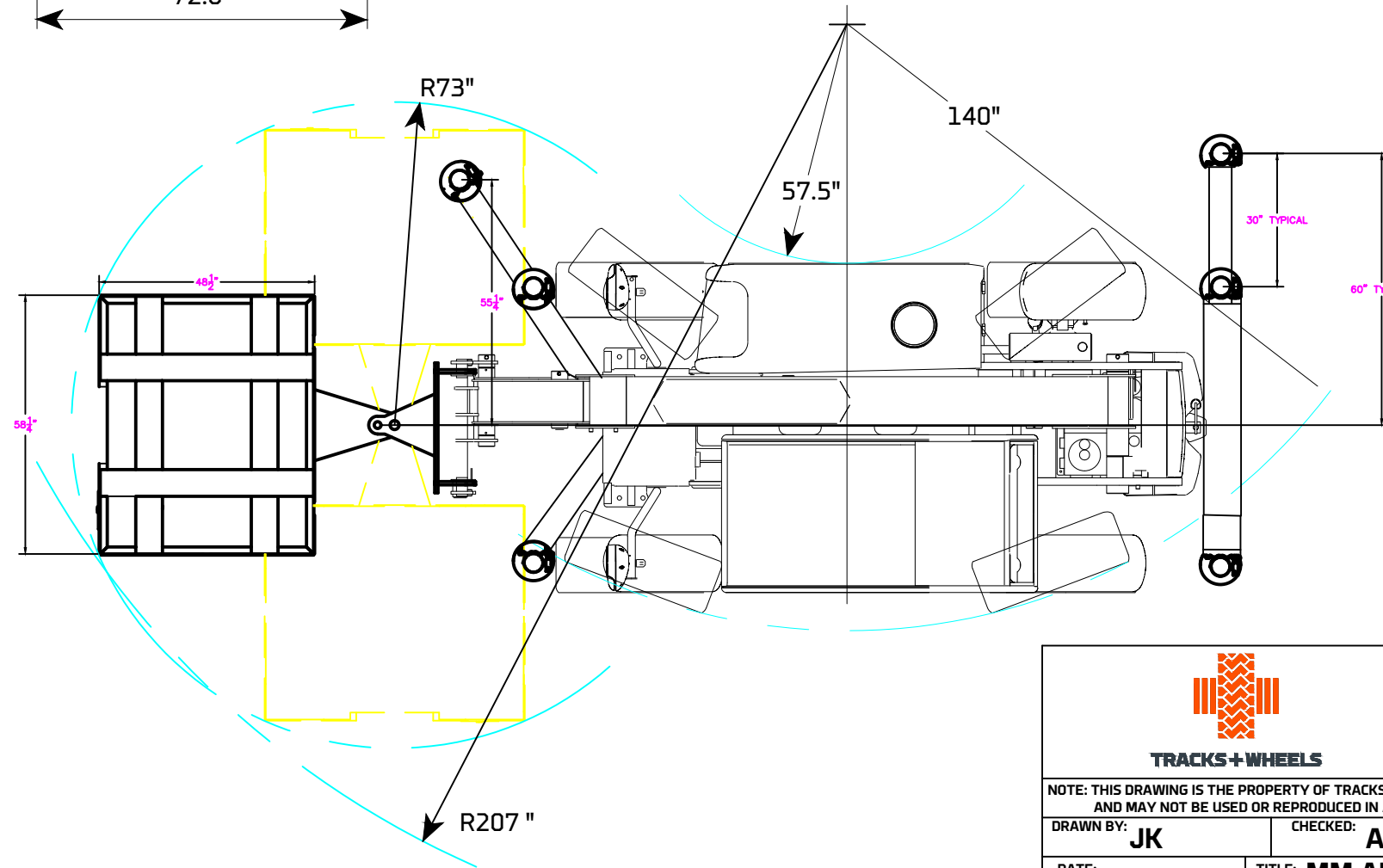
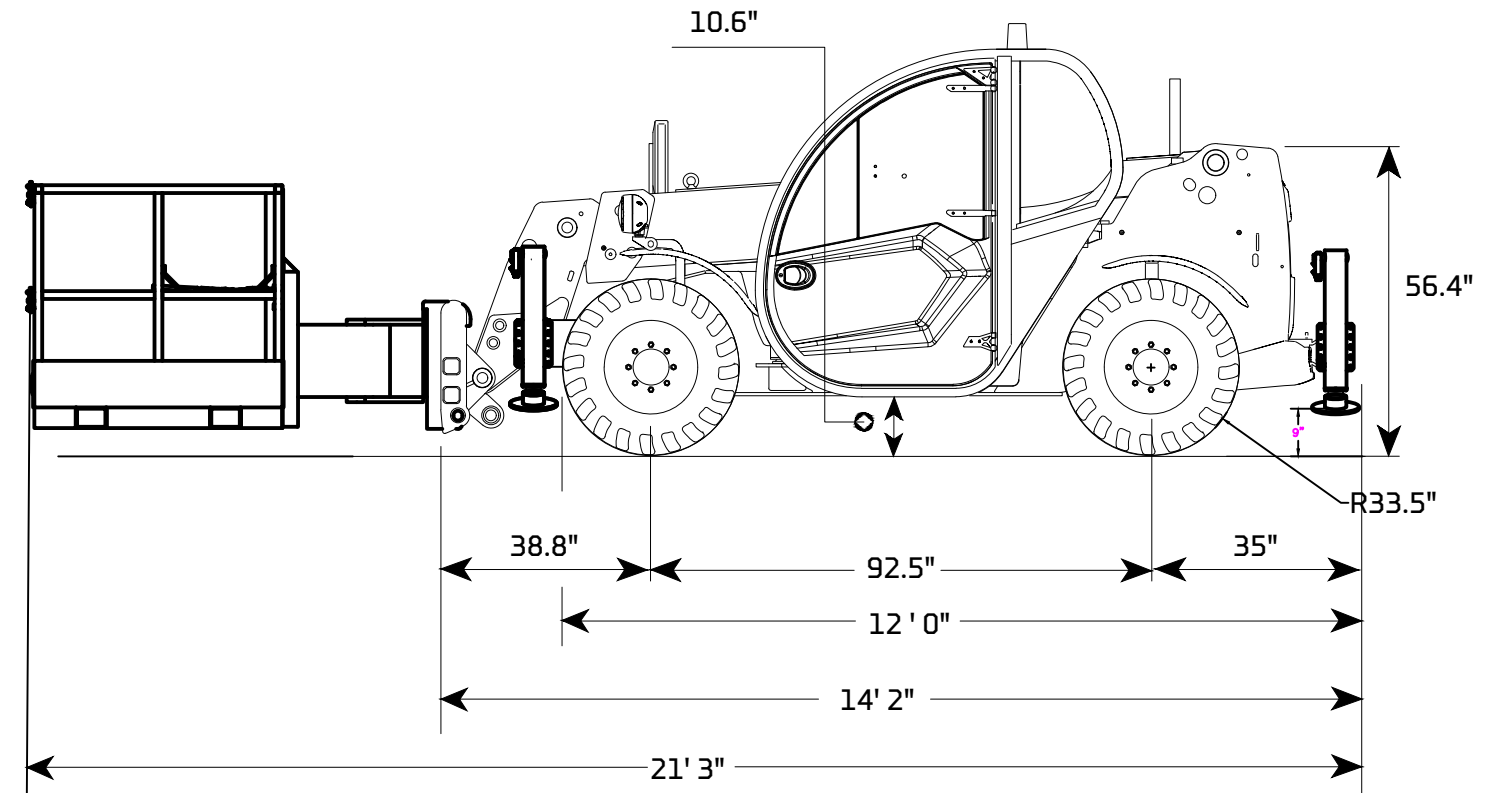
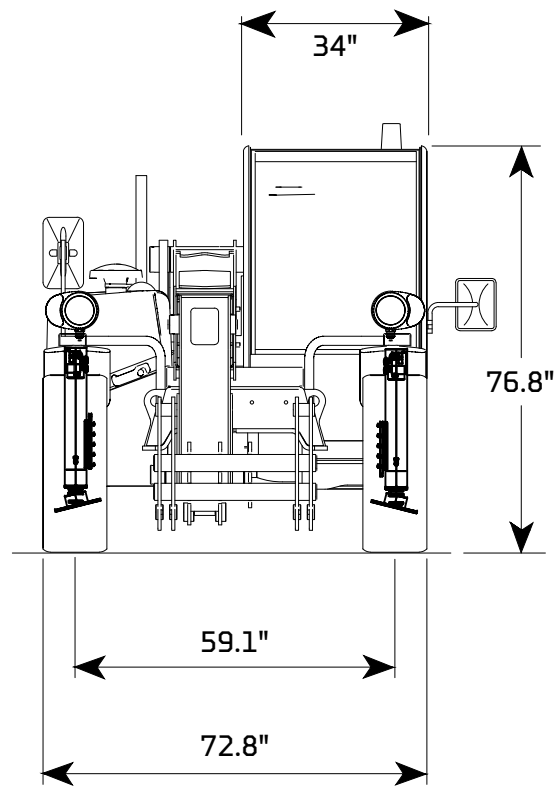
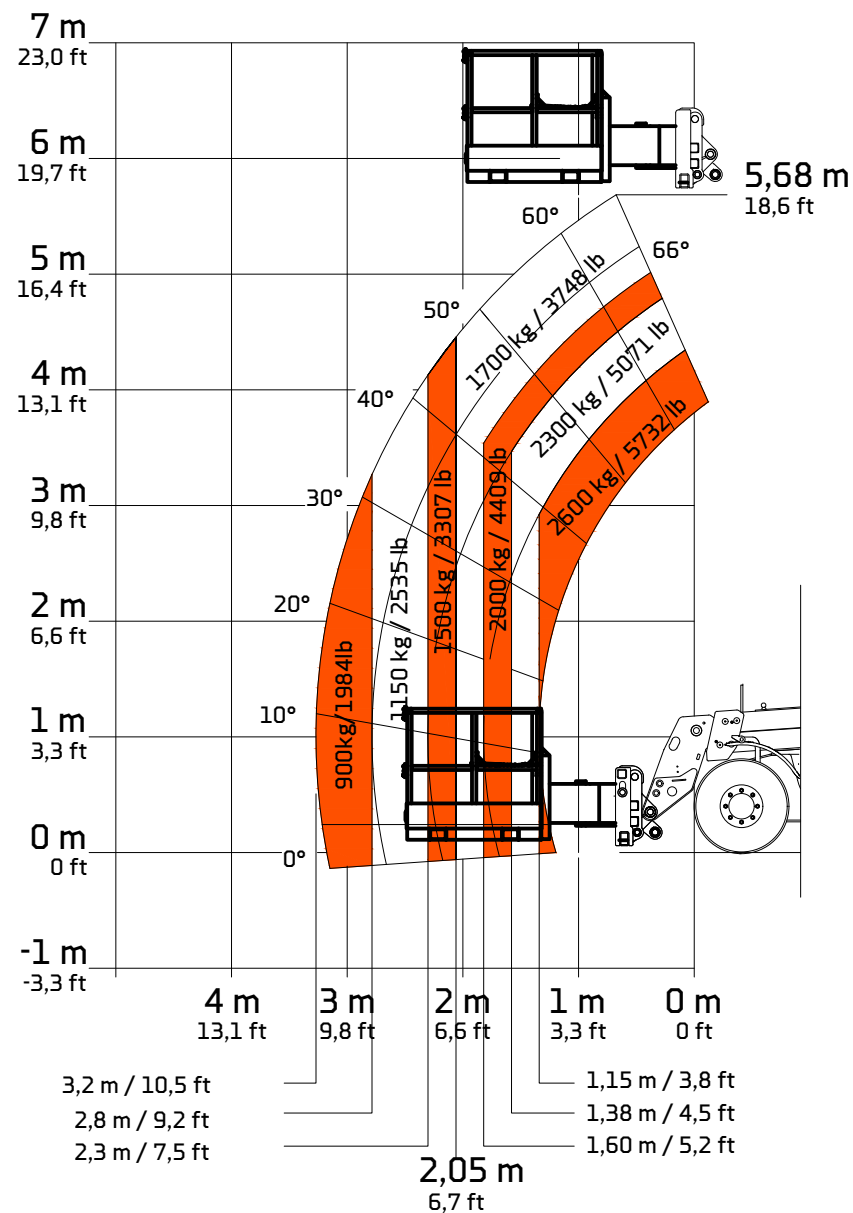
MINEMASTER APOLLO MANBASKET LAYOUT DRAWING

LOAD CHART

2600 kg / 5732 lb

NOTES:

- Fully inflated tires
- Machine on level ground



Empty Weight: 15000 lbs
 Gross Weight: 16000 lbs
 Basket Weight: 750 lbs
 Basket Rotates 180 degrees
 Basket Capacity: 1000 pounds
 (2 Men, and Tools)

<p>TRACKS+WHEELS</p>	UNLESS OTHERWISE SPECIFIED ALL TOLERANCES TO BE AS FOLLOWS: FRACTIONS - ±1/16 .00 - ±.010 .000 - ±.005 ANGLES - ±1% FINISH 125 BREAK ALL SHARP EDGES	DRAWING TO BE INTERPRETED AS PER CSA No. 87B 78.2 THIRD ANGLE PROJECTION
	USED ON: MM APOLLO	
NOTE: THIS DRAWING IS THE PROPERTY OF TRACKS & WHEELS INC. AND IT IS LOANED IN CONFIDENCE AND MAY NOT BE USED OR REPRODUCED IN ANY WAY DETRIMENTAL TO OUR INTERESTS		
DRAWN BY: JK	CHECKED: AM	APP'D: MG
DATE: 2022-02-02	TITLE: MM APOLLO LAYOUT MANBASKET & OUTRIGGERS	PART No: L-416
		1 OF 1 REV: 0