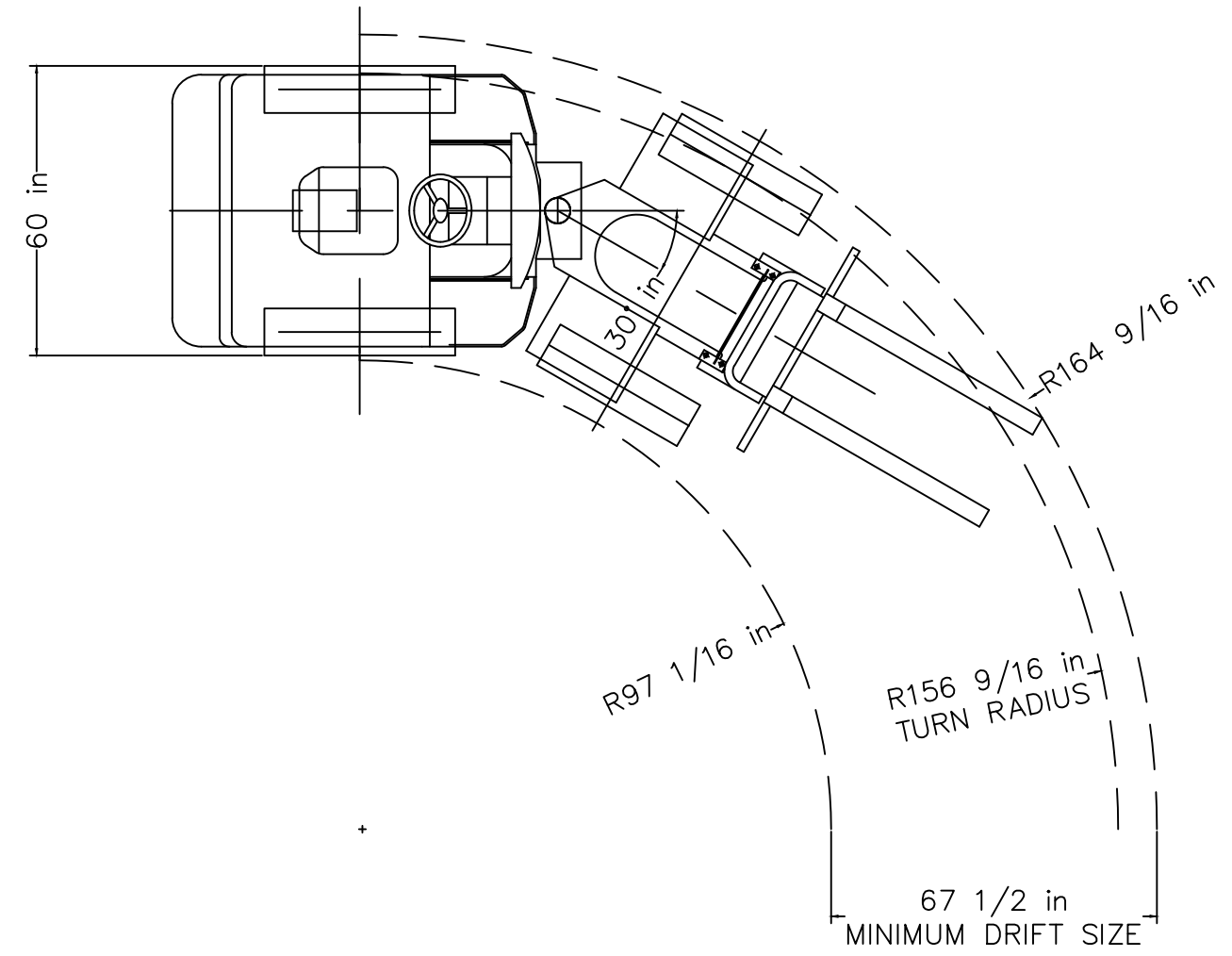


A **B** **C** **D** **E** **F** **G** **H**

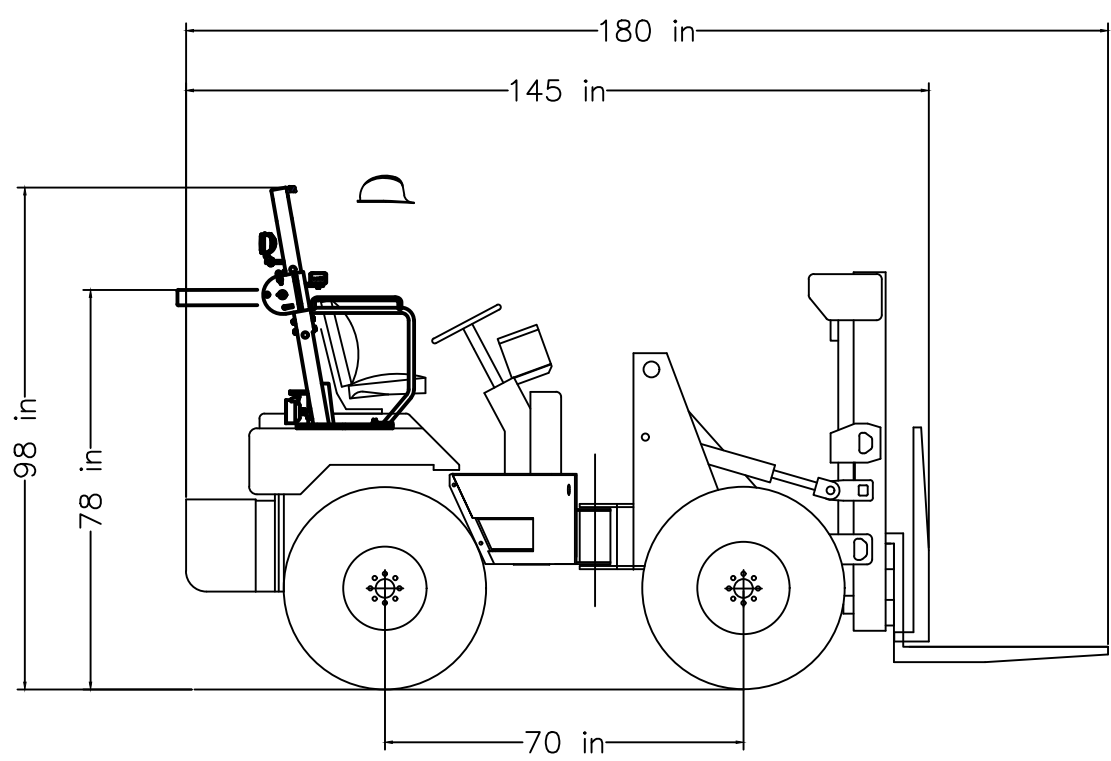
1

MINEMASTER R430F FORKLIFT W/ FOLDING OPERATOR GUARD

2




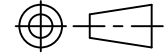
3



4

5

OPERATOR GUARD T190387

 TRACKS+WHEELS	<small>UNLESS OTHERWISE SPECIFIED ALL TOLERANCES TO BE AS FOLLOWS:</small> FRACTIONS - ±1/16 .00 - ±.010 .000 - ±.005 ANGLES - ±1% FINISH 125 BREAK ALL SHARP EDGES	<small>DRAWING TO BE INTERPRETED AS PER CSA No. 87B 78.2</small>  THIRD ANGLE PROJECTION
	USED ON: MM430 1	
<small>NOTE: THIS DRAWING IS THE PROPERTY OF TRACKS & WHEELS INC. AND IT IS LOANED IN CONFIDENCE AND MAY NOT BE USED OR REPRODUCED IN ANY WAY DETRIMENTAL TO OUR INTERESTS</small>		
<small>DRAWN BY:</small> AM	<small>CHECKED:</small> MG	<small>APP'D:</small> MG
<small>DATE:</small> 2019-01-15	<small>TITLE:</small> MM430F Forklift W FOLDING GUARD	<small>PART No:</small> L-397
		<small>REV:</small> 0

1 OF 1