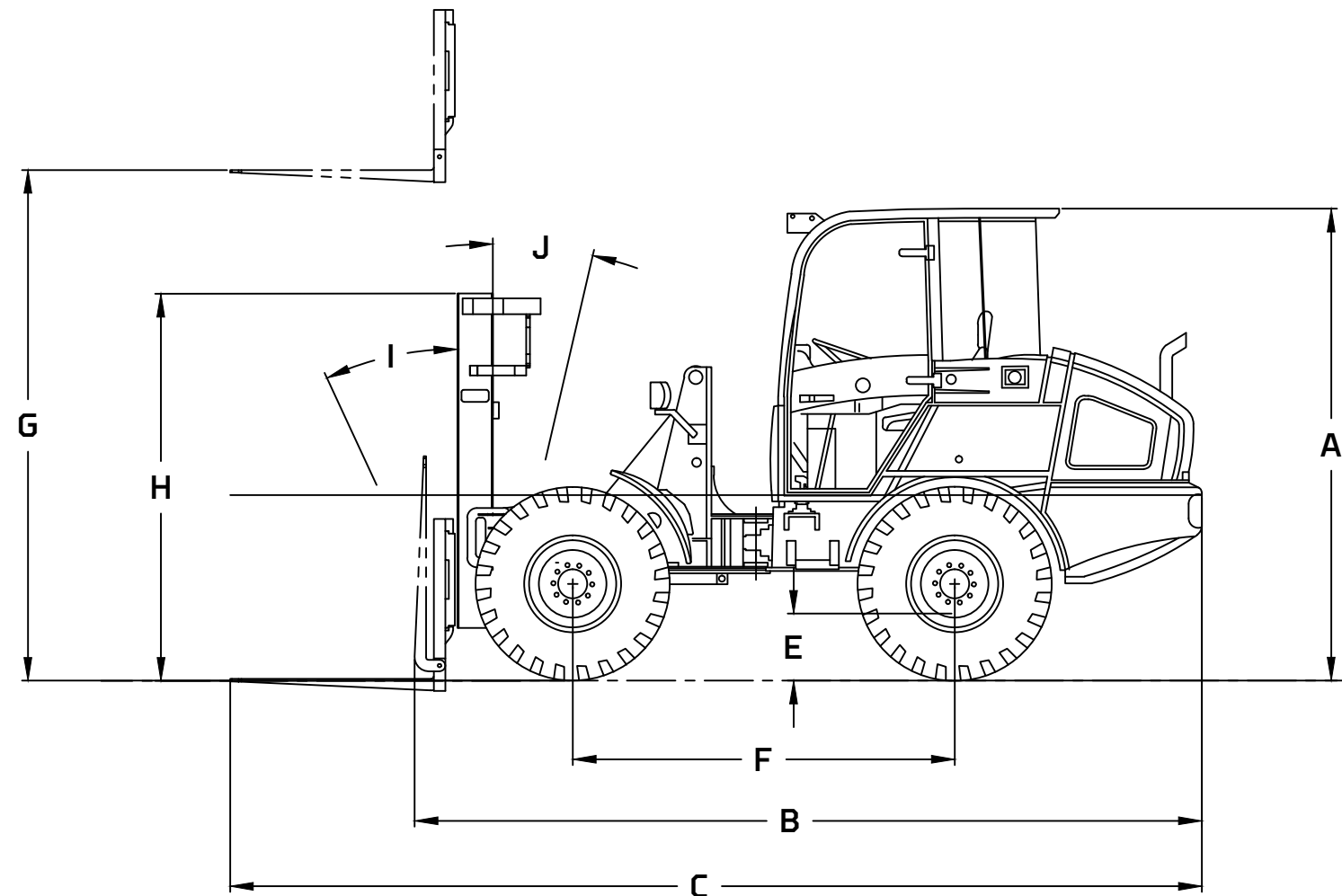
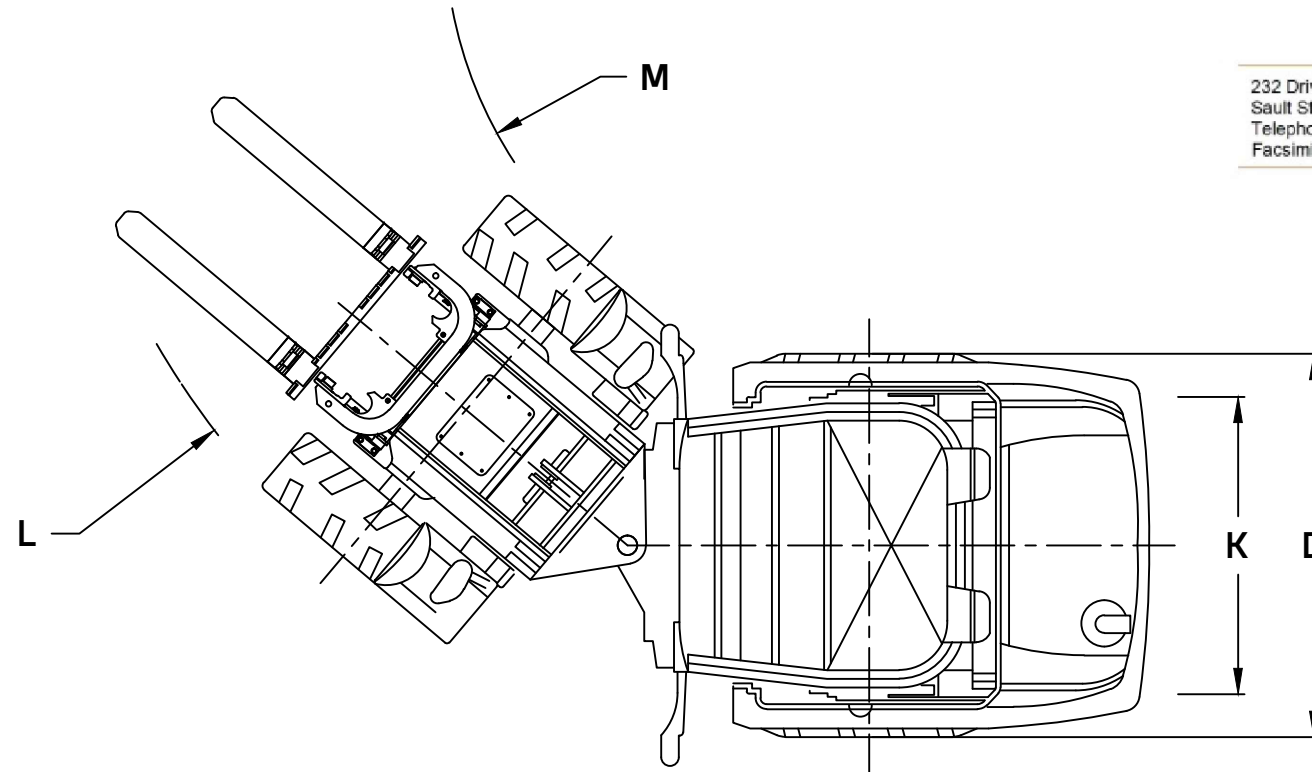




232 Drive-In Road  
 Sault Ste. Marie, Ontario P6B 6A9  
 Telephone: (705) 256-5438  
 Facsimile: (705) 256-1451

2200 Riverside Drive RR2  
 Timmins, Ontario P4R 0A1  
 Telephone: (705) 268-5438  
 Facsimile: (705) 268-3382

6 Sunshine Lane  
 North Bay, Ontario P1B 8G3  
 Telephone: (705) 840-5438  
 Facsimile: (705) 474-0717



With Standard Folding Forks		R630 (ROPS / CAB)
A	Overall height	2480 mm (97.64 in.) / 2500 mm (98.43 in.)
B	Overall length (forks folded)	4125 mm (162.4 in.)
C	Overall length (forks down)	5090 mm (200.4 in.)
D	Overall width	1805 mm (71.06 in.)
E	Ground Clearance	350 mm (13.8 in.)
F	Wheelbase	2000 mm (78.74 in.)
G	Lift height	2680 mm (105.5 in.)
H	Retracted height	2007 mm (79.00 in.)
I	Forward tilt	25 deg.
J	Backward tilt	13 deg.
K	Tread	1400 mm (55.12 in.)
L	Turning radius Outer	7763 mm (305.6 in.)
M	Turning radius Inner	3995 mm (157.3 in.)

Capacity	R630
Operating load (PENDING)	8000 lbs (3628 kg) @ 24" load center

Forks	R630
42in. Folding forks, 10in. drop	Standard
48in. Folding forks, 10in. drop	Optional
42in. Solid forks, 10in. drop	Optional
48in. Solid forks, 10in. drop	Optional
42in. Fork Positioner	Optional
48in. Fork Positioner	Optional

\*\*\*DRAWING MODEL FOR REFERENCE ONLY - DIMENSIONS ARE NOTE EXACT\*\*\*

ITEM	PART No.	DESCRIPTION	QTY.
<b>TRACKS &amp; WHEELS</b> EQUIPMENT BROKERS 566-LIFT 566-5438			
<small>UNLESS OTHERWISE SPECIFIED ALL TOLERANCES TO BE AS FOLLOWS:                      FRACTIONS - 1/16                      .00 - ±.010                      .000 - ±.005                      ANGLES - ±1°                      FINISH - 125                      BREAK ALL SHARP EDGES</small>			
<small>THIS DRAWING IS THE PROPERTY OF TRACKS &amp; WHEELS INC. AND IT IS LOANED IN CONFIDENCE AND MAY NOT BE USED OR REPRODUCED IN ANY WAY DETRIMENTAL TO OUR INTERESTS</small>			
DATE:	03/30/2016	SCALE:	1:18
DRAWN BY: RL		CHECKED: JL	APP'D: JL
MATERIAL:	TITLE:	PART No:	REV:
	R630-F - OEM (WITH FORKLIFT ADDED) LAYOUT	L-384	

REV.	RELEASE No.	DATE	BY	APP'D