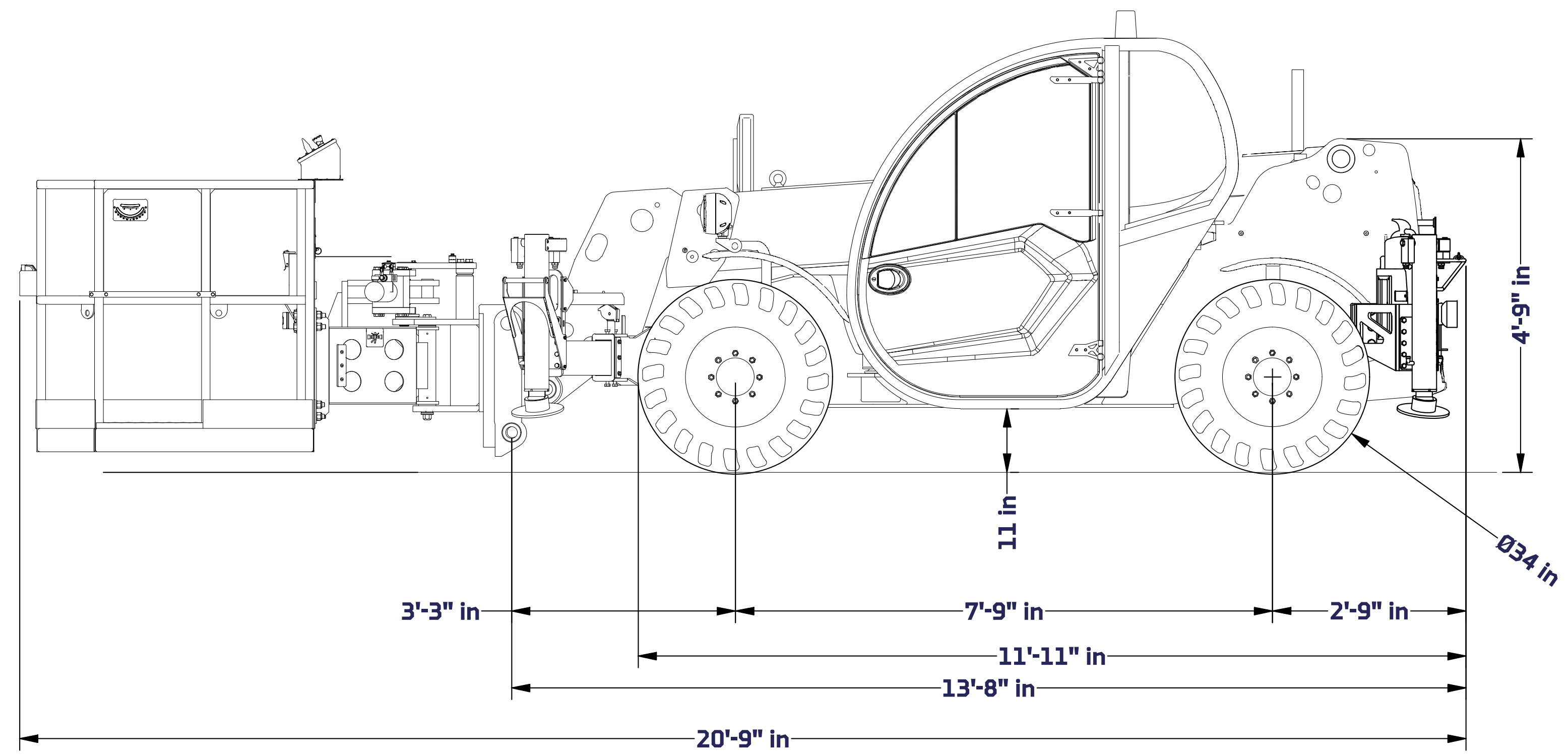
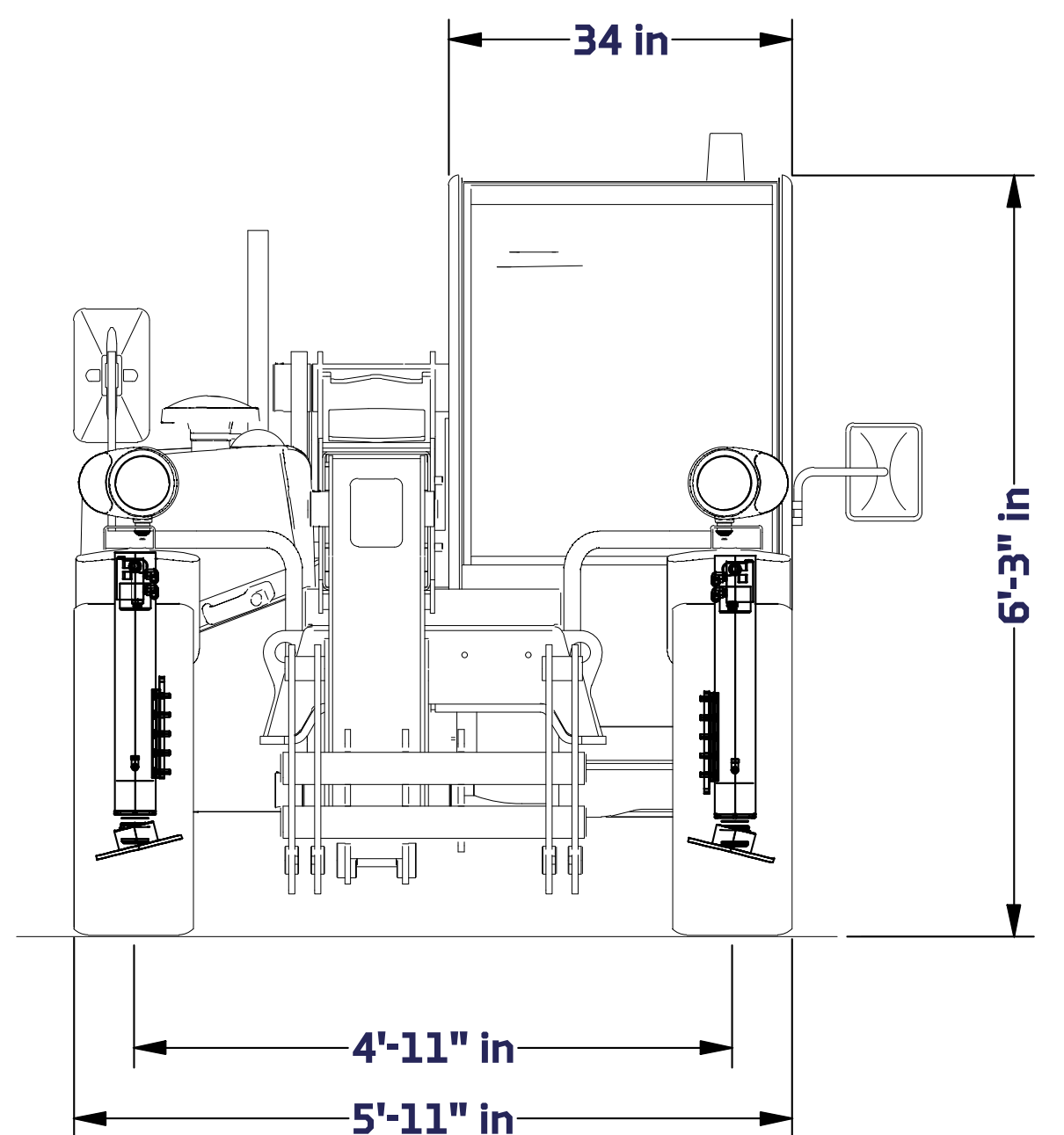
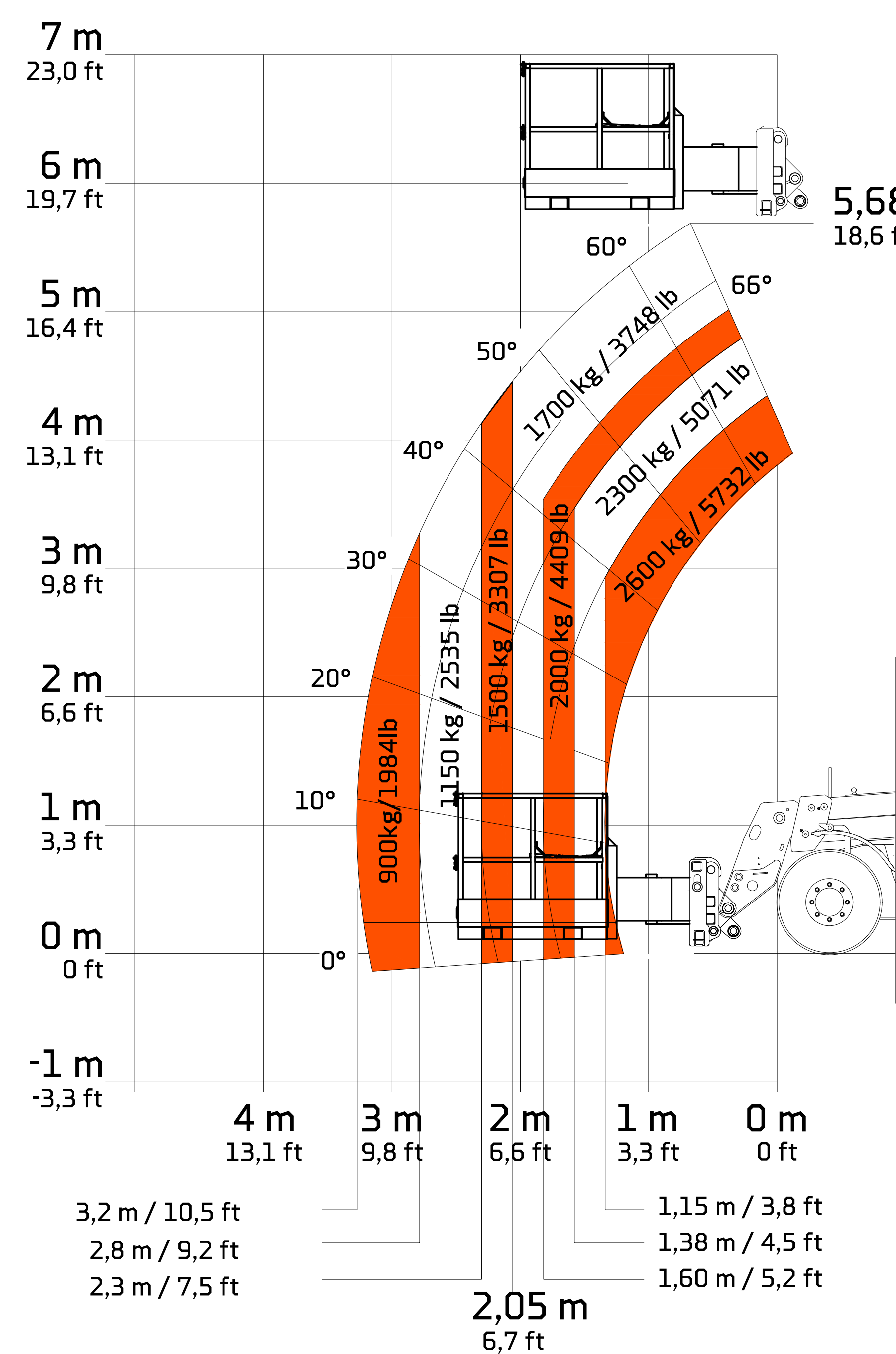


MINEMASTER APOLLO PIVOTING MANBASKET LAYOUT DRAWING

LOAD CHART (Forklift)

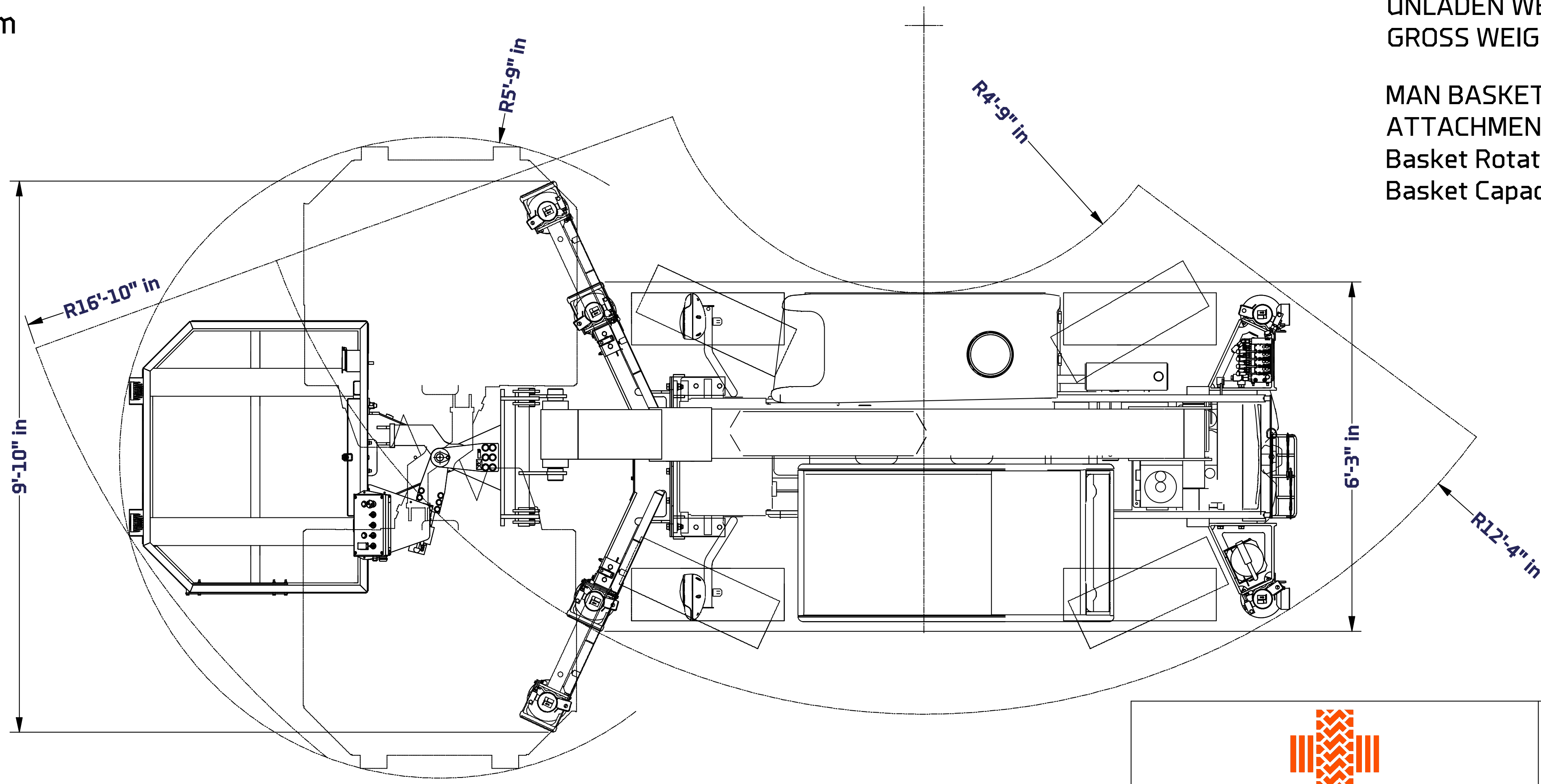
2600 kg / 5732 lb

NOTES:
- Machine on level ground



VEHICLE:
UNLADEN WEIGHT: 14650 lbs
GROSS WEIGHT: 15650 lbs

MAN BASKET:
ATTACHMENT WEIGHT: 1500 lbs
Basket Rotates 180 degrees (90 DEGREES PER SIDE)
Basket Capacity: 1000 pounds



<p>TRACKS + WHEELS</p>	<p>UNLESS OTHERWISE SPECIFIED ALL TOLERANCES TO BE AS FOLLOWS:</p> <p>FRACTIONS - ±1/16 .00 - ±.010 .000 - ±.005 ANGLES - ±1° FINISH 125 BREAK ALL SHARP EDGES</p>	<p>DRAWING TO BE INTERPRETED AS PER CSA No. 87B 78.2</p> <p>THIRD ANGLE PROJECTION</p>
	<p>USED ON: MMTH26.6RMB</p>	
<p>NOTE: THIS DRAWING IS THE PROPERTY OF TRACKS & WHEELS INC. AND IT IS LOANED IN CONFIDENCE AND MAY NOT BE USED OR REPRODUCED IN ANY WAY DETRIMENTAL TO OUR INTERESTS</p>		
<p>DRAWN BY: JK</p>	<p>CHECKED: AM</p>	<p>APP'D: MG</p>
<p>DATE: 2022-02-02</p>	<p>TITLE: LAYOUT MANBASKET & OUTRIGGERS L-416</p>	<p>PART No: L-416</p>
		<p>1 OF 1</p>
		<p>REV: A</p>